

# Thermal cut-out Thermostat

**multicomp** PRO



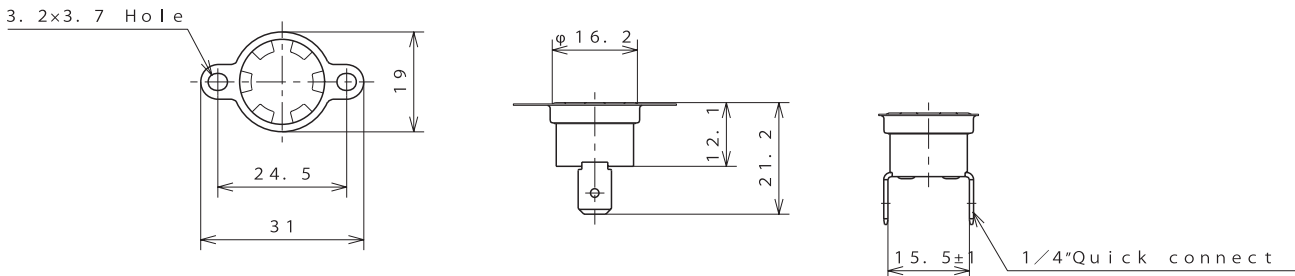
## Applications

- Household appliances
- Electronics
- Machinery

## Specifications

Rated voltage, Nature, Current and Frequency	: 250V AC 16A, 10A 50 or 60 Hz
Type	: Single pole single throw
Type of Action	: Contacts open on temperature rise. Contacts close on temperature fall.
Type of Load	: Substantially resistive load
Degree of Protection	: Equivalent to IP50
Purpose of Control	: Thermostat, Temperature limiter, Thermal cut-out
Construction of Control	: Incorporated control not electronic
Operating Temperature	: (40°C ±3K) Open (25°C ±5K) Close
Electrical Rating	: Resistive load AC250V/16A (Min: 1A)
Maximum Ambient Temperature	: 150°C
Protection of Electric Shock	: Class I
Number of Automatic Cycles	: 100,000 Cycles at 250V AC 10A 30,000 Cycles at 250V AC 16A
Insulation Resistance	: 1,000MΩ or more measured by DC500V Megger between live part and dead metal part.
Dielectric Strength	: AC2,000V for 2 seconds
Type of Action	: 2B
Operating Value	: 0°C to +150°C
Pollution Degrees	: Pollution degree 2

## Diagram



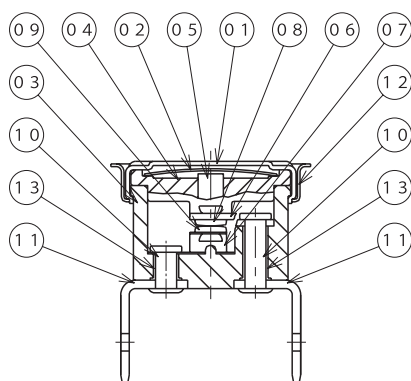
Dimensions : Millimetres

Newark.com/multicomp-pro  
Farnell.com/multicomp-pro  
sg.element14.com/b/multicomp-pro

**multicomp** PRO

# Thermal cut-out Thermostat

**multicomp** PRO



No.	Name	Material
1	Cap	Aluminium
2	Bimetal	-
3	Case	Phenol
4	Retainer	Phenol
5	Pin	Ceramic
6	Stationary arm	Copper Alloy
7	Movable arm	Copper Alloy
8	Contact	Silver-Nickel Alloy
9	Contact	Silver-Nickel Alloy
10	Rivet	Copper
11	Terminal	Copper Alloy
12	Bracket	Stainless Steel
13	Sleeve	Copper

## Part Number Table

Description	Part Number
Thermostat Switch, Thermal Cut Out, 03EN Series, 40°C, Normally Closed, Flange Mount	03EN15T044(40/25)

**Important Notice :** This data sheet and its contents (the "Information") belong to the members of the AVNET group of companies (the "Group") or are licensed to it. No licence is granted for the use of it other than for information purposes in connection with the products to which it relates. No licence of any intellectual property rights is granted. The Information is subject to change without notice and replaces all data sheets previously supplied. The Information supplied is believed to be accurate but the Group assumes no responsibility for its accuracy or completeness, any error in or omission from it or for any use made of it. Users of this data sheet should check for themselves the Information and the suitability of the products for their purpose and not make any assumptions based on information included or omitted. Liability for loss or damage resulting from any reliance on the Information or use of it (including liability resulting from negligence or where the Group was aware of the possibility of such loss or damage arising) is excluded. This will not operate to limit or restrict the Group's liability for death or personal injury resulting from its negligence. Multicomp Pro is the registered trademark of Premier Farnell Limited 2019.

Newark.com/multicomp-pro  
Farnell.com/multicomp-pro  
sg.element14.com/b/multicomp-pro

**multicomp** PRO